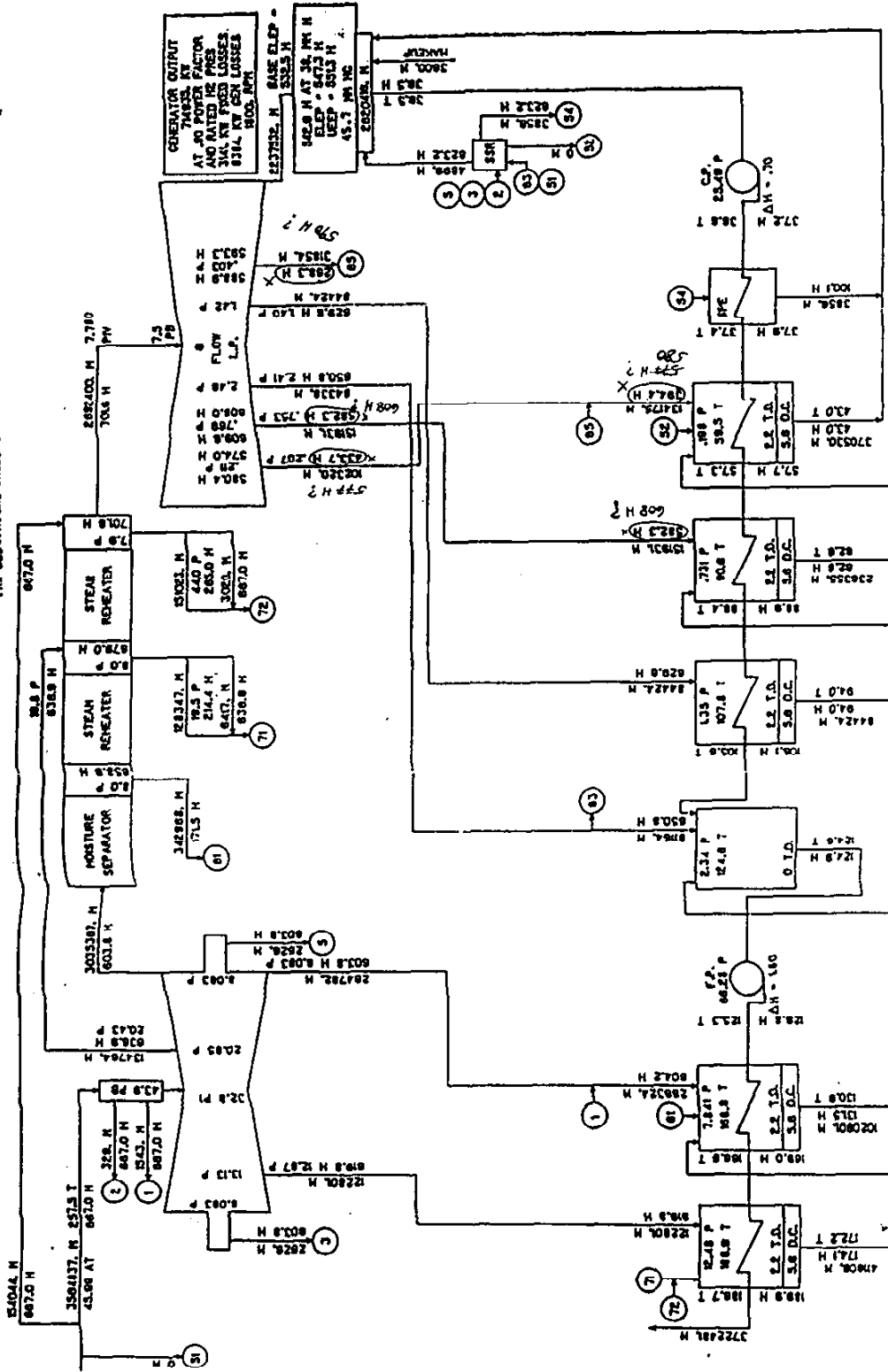


TUNING AND EXTRACTION ARRANGEMENTS IS SCHEMATIC ONLY

THE VALUE OF THE GENERATOR OUTPUT SHOWN ON THIS HEAT BALANCE IS THE ELECTRICAL CROSS OUTPUT AT THE GENERATOR TERMINALS.



LEGEND - CALCULATIONS BASED ON 1963 ASME STEAM TABLES
 M - FLOW-kg/hr
 P - PRESSURE-AT (KG/CM² CH)
 H - ENTHALPI-KCAL/KG
 T - TEMPERATURE-°C DEGREES

METRIC UNITS

VALVE EST POINT 378881, 1.6570 - 189.9 1 - 2.82 KCAL
 CROSS HEAT RATE 74602

70390 KW 47.5 MW MC ABS.
 100% 43.0 M, L58 MCD PM
 48.0 AT 687.0 KCAL / KG 2 STAGE REHEAT
 GEN-828000, KYA .90 PF L10

FIG. 10.1-2 (a) HEAT BALANCE AT 100% POWER
 (at 45.7 mm Hg backpressure)