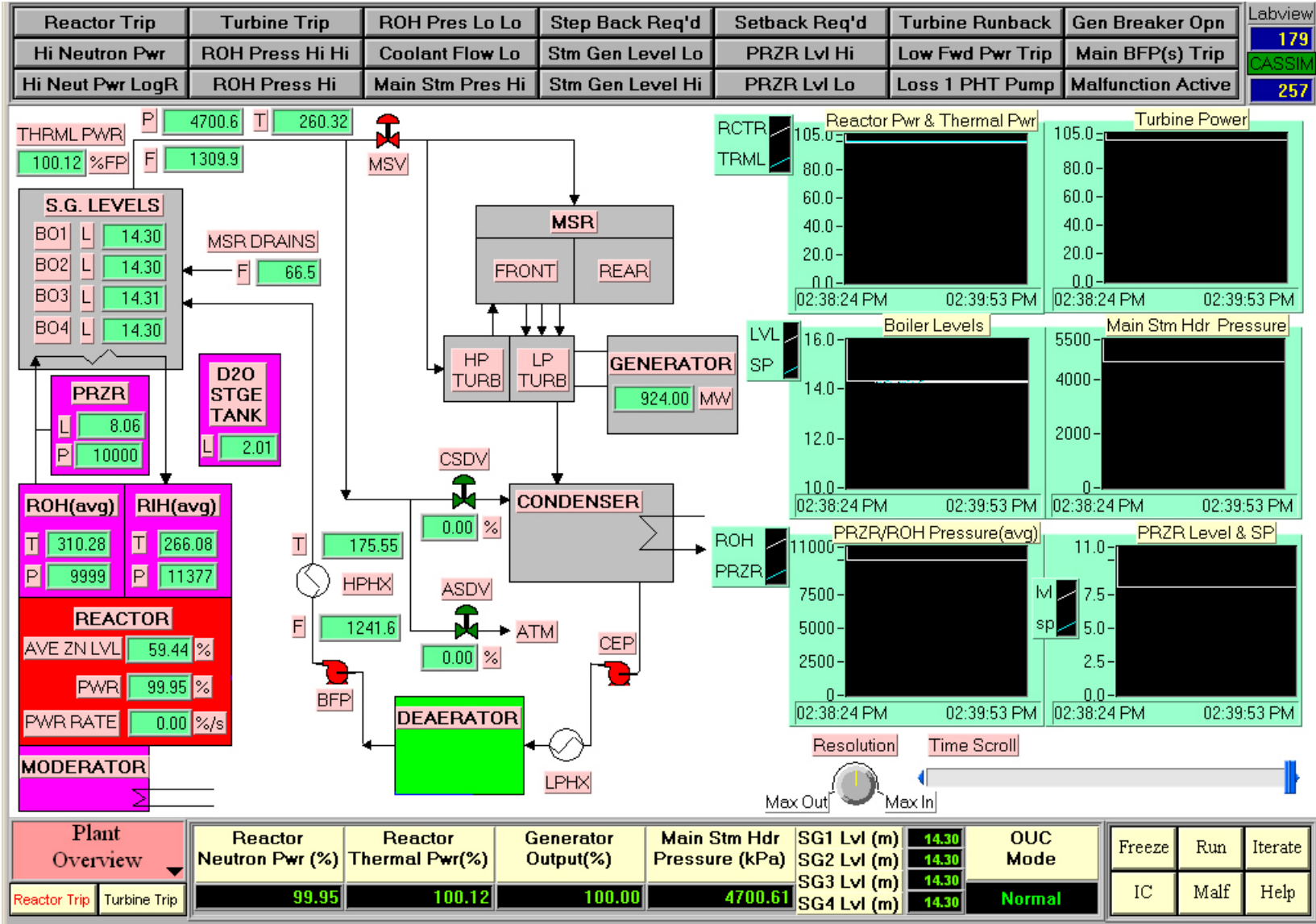
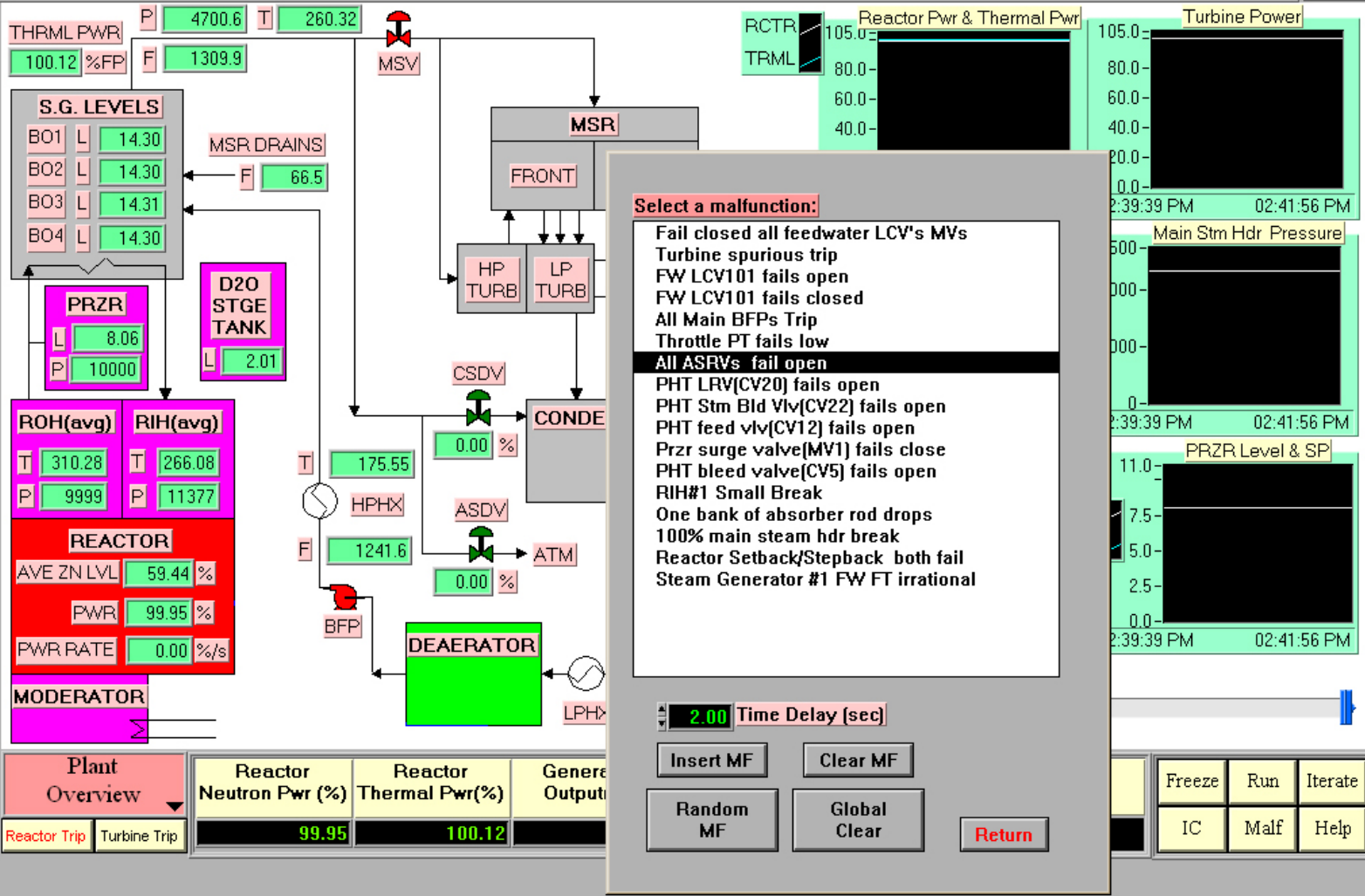


CANDU Simulator by [CTI Simulation International](http://www.cti-simulation.com) (sample screenshots)



CANDU Simulator by [CTI Simulation International](http://www.cti-sim.com) (sample screenshots)

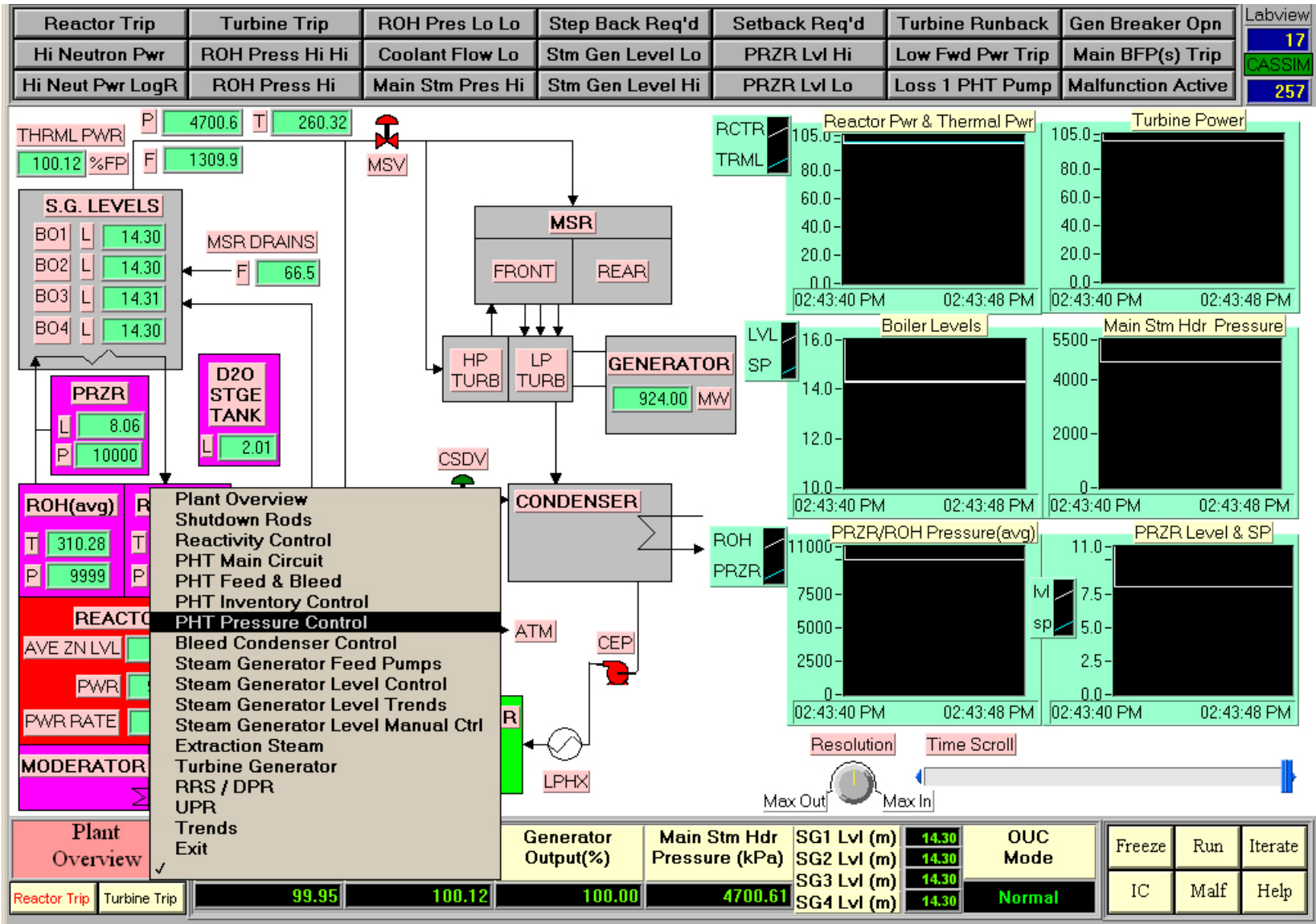
Reactor Trip	Turbine Trip	ROH Pres Lo Lo	Step Back Req'd	Setback Req'd	Turbine Runback	Gen Breaker Opn	Labview
Hi Neutron Pwr	ROH Press Hi Hi	Coolant Flow Lo	Stm Gen Level Lo	PRZR Lvl Hi	Low Fwd Pwr Trip	Main BFP(s) Trip	427
Hi Neut Pwr LogR	ROH Press Hi	Main Stm Pres Hi	Stm Gen Level Hi	PRZR Lvl Lo	Loss 1 PHT Pump	Malfunction Active	CASSIM
							257



The screenshot displays a CANDU simulator interface. At the top, a status bar shows various trip and malfunction indicators. Below this, a central process flow diagram illustrates the reactor system, including the Reactor (MSR), Main Steam Generators (S.G.), Turbines (HP and LP), Condensers (CONDE), and a Deaerator. Key data points are shown in colored boxes: THRML PWR (4700.6), %FP (100.12), ROH (avg) (310.28), RIH (avg) (266.08), and REACTOR PWR (99.95%). A malfunction selection menu is open, listing various faults such as 'Fail closed all feedwater LCV's MVs' and '100% main steam hdr break'. The interface also features a 'Plant Overview' table at the bottom and a 'Time Delay' control set to 2.00 seconds.

Plant Overview		Reactor Neutron Pwr (%)	Reactor Thermal Pwr(%)	Gener Output
Reactor Trip	Turbine Trip	99.95	100.12	

CANDU Simulator by [CTI Simulation International](http://www.cti-simulation.com) (sample screenshots)



CANDU Simulator by [CTI Simulation International](http://www.cti-sim.com) (sample screenshots)

Reactor Trip	Turbine Trip	ROH Pres Lo Lo	Step Back Req'd	Setback Req'd	Turbine Runback	Gen Breaker Opn	Labview
Hi Neutron Pwr	ROH Press Hi Hi	Coolant Flow Lo	Stm Gen Level Lo	PRZR Lvl Hi	Low Fwd Pwr Trip	Main BFP(s) Trip	22
Hi Neut Pwr LogR	ROH Press Hi	Main Stm Pres Hi	Stm Gen Level Hi	PRZR Lvl Lo	Loss 1 PHT Pump	Malfunction Active	CASSIM
							257

PHT MODE
 PHT
 NORMAL

PHT PRESSURE CONTROL

HEATERS CONTROL

1	AUTO <input type="checkbox"/>	32.66 <input type="checkbox"/>	3	AUTO <input type="checkbox"/>	OFF <input type="checkbox"/>	5	AUTO <input type="checkbox"/>	OFF <input type="checkbox"/>
2	AUTO <input type="checkbox"/>	OFF <input type="checkbox"/>	4	AUTO <input type="checkbox"/>	OFF <input type="checkbox"/>	6	AUTO <input type="checkbox"/>	OFF <input type="checkbox"/>

STEAM BLEED CONTROL

CV22(%)	AUTO <input type="checkbox"/>	POS <input type="checkbox"/>	0.00 <input type="checkbox"/>	MAN O/P <input type="checkbox"/>
CV23(%)	AUTO <input type="checkbox"/>	POS <input type="checkbox"/>	0.00 <input type="checkbox"/>	MAN O/P <input type="checkbox"/>

SOLID MODE ROH PRESSURE CONTROL

ROH PRESSURE	10000 KPA	MAN SETPOINT <input type="checkbox"/>	10001 KPA
--------------	-----------	---------------------------------------	-----------

Reactor Pwr & Thermal Pwr

ROH Pressure & Setpoint(Solid)

PRZR Level & Setpoint

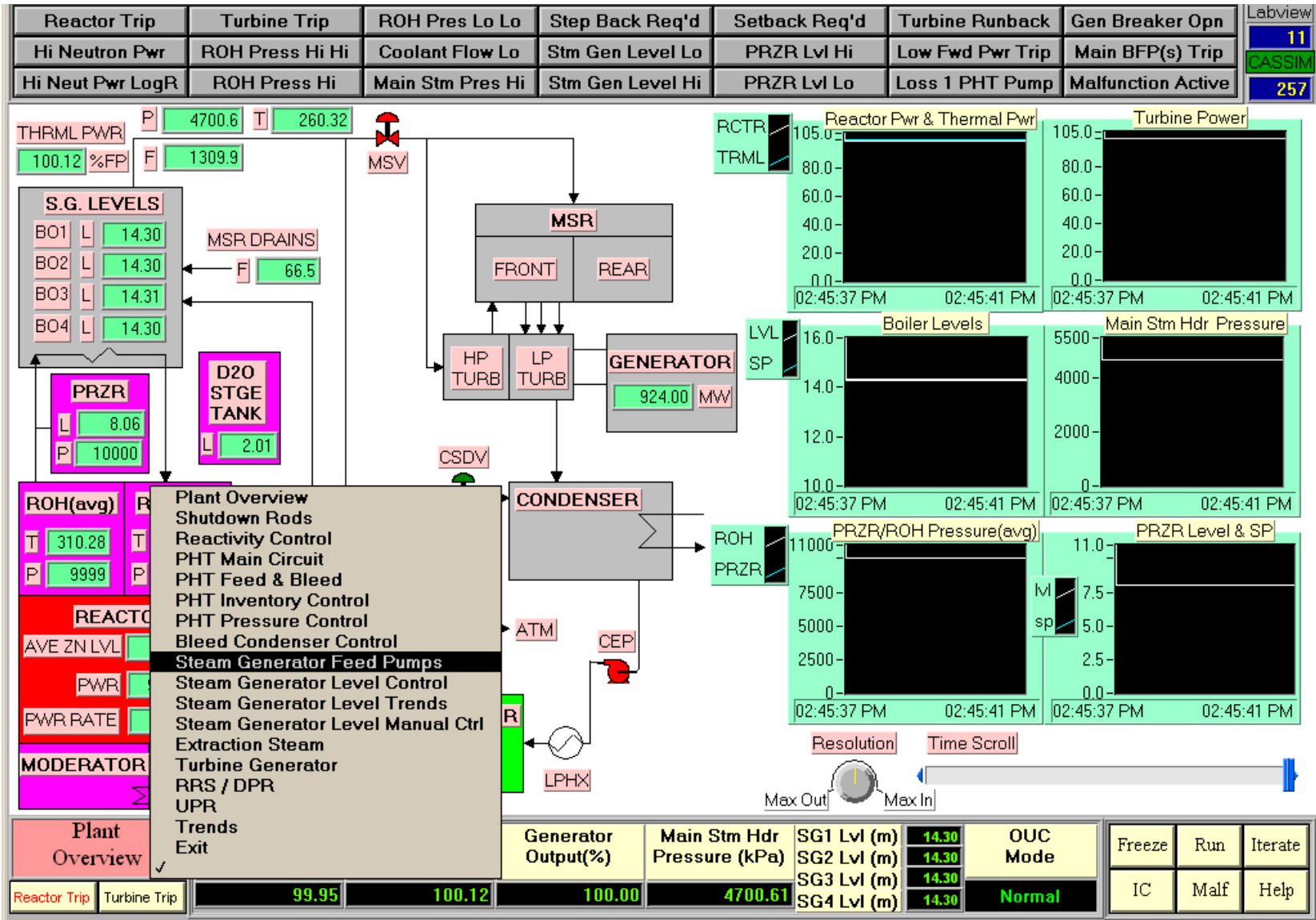
PHT Stm Bleed Valve Pos

Resolution Time Scroll

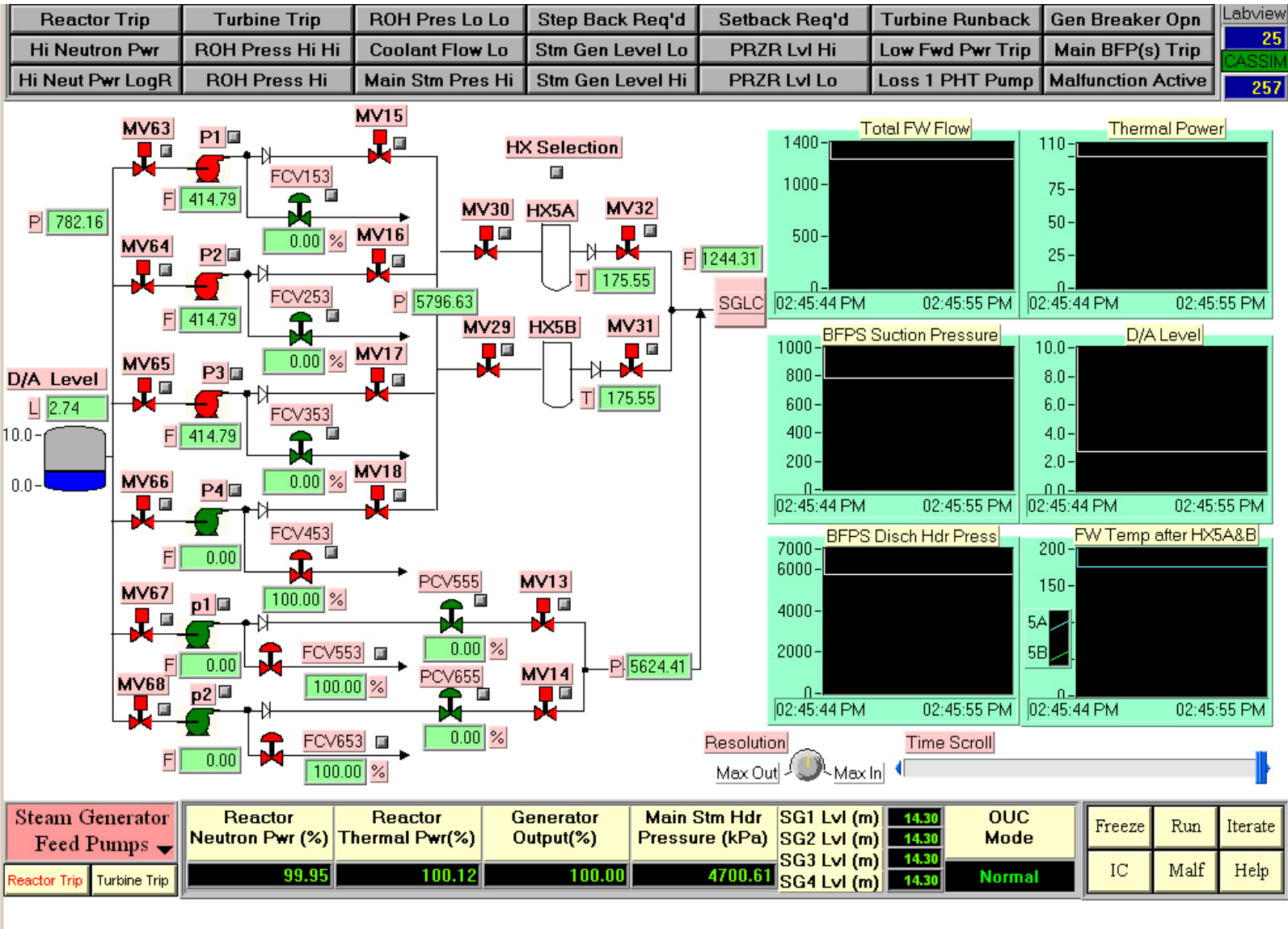
Max Out Max In

PHT Pressure Control		Reactor Neutron Pwr (%)	Reactor Thermal Pwr(%)	Generator Output(%)	Main Stm Hdr Pressure (kPa)	SG1 Lvl (m)	SG2 Lvl (m)	SG3 Lvl (m)	SG4 Lvl (m)	OUC Mode	Freeze	Run	Iterate
Reactor Trip	Turbine Trip	99.95	100.12	100.00	4700.61	14.30	14.30	14.30	14.30	Normal	IC	Malf	Help

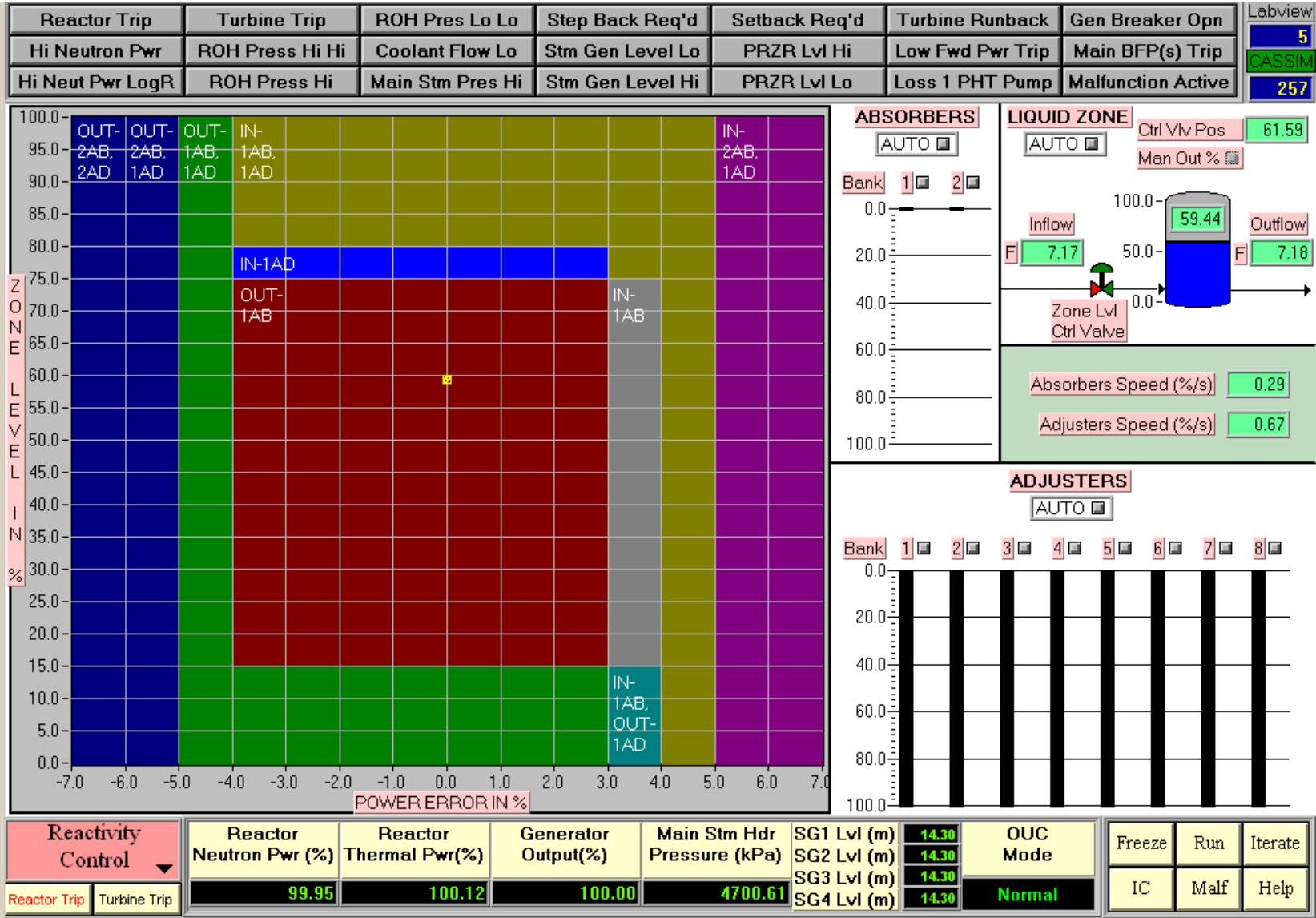
CANDU Simulator by [CTI Simulation International](http://www.cti-sim.com) (sample screenshots)



CANDU Simulator by [CTI Simulation International](http://www.cti-sim.com) (sample screenshots)



CANDU Simulator by [CTI Simulation International](http://www.cti-sim.com) (sample screenshots)



CANDU Simulator by [CTI Simulation International](http://www.cti-simulation.com) (sample screenshots)

